

CX3042NL

- COUPLER, 6dB
- 5-1000MHz
- IMPEDANCE = 75 OHMS
- SURFACE MOUNT

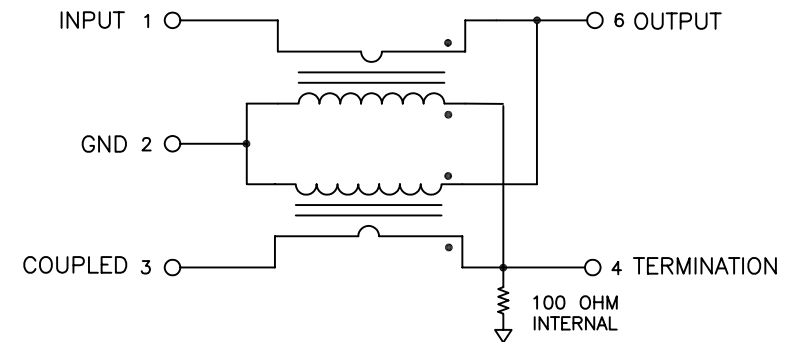
NOTES: UNLESS OTHERWISE SPECIFIED:

1. OPERATING TEMPERATURE: -40°C TO +85°C.
2. STORAGE TEMPERATURE: -50°C TO +125°C
3. JEDEC MOISTURE: LEVEL 1.
4. DIMENSIONS ARE IN INCH WITH THE FOLLOWING TOLERANCES:
.XX ±.01
.XXX ±.005
5. REVISION LEVEL M10,M11...MX IS FOR A RELEASED PRODUCTS.
6. OPTIONAL TAPE & REEL PACKAGING CAN BE ORDERED BY ADDING A "T" SUFFIX TO THE PART NUMBER. ie: CX3042NLT
7. ROHS COMPLIANT



ELECTRICAL SPECIFICATIONS @ 25°C:

PARAMETER	TEST FREQ, MHz	SPECIFICATIONS
COUPLING LOSS	5-1000 MHz	-6 dB ± .75 dB
INSERTION LOSS	5-1000 MHz	2.8 dB MAX
RETURN LOSS, INPUT PORT.	5-1000 MHz	14 dB MIN
RETURN LOSS, OUTPUT PORT.	5-1000 MHz	15 dB MIN
RETURN LOSS, COUPLED PORT.	5-1000 MHz	15 dB MIN



SCHEMATIC

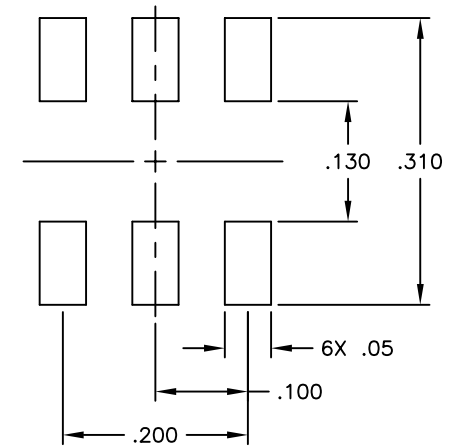
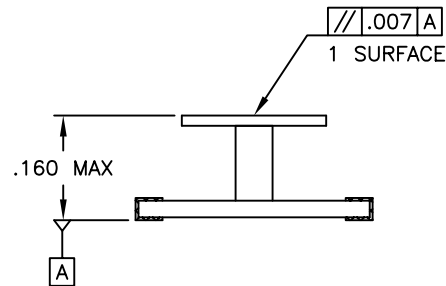
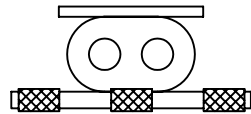
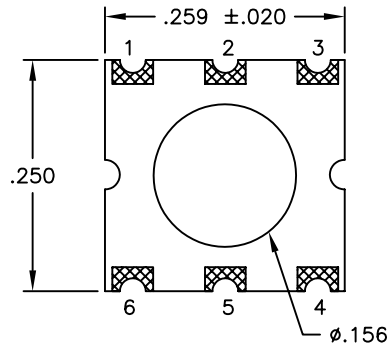
© Copyright, 2014. Pulse Electronics, Inc. All rights reserved. Drawing specifications subject to change without notice. Date (03/11/14)

PULSE CONFIDENTIAL
&
PROPRIETARY

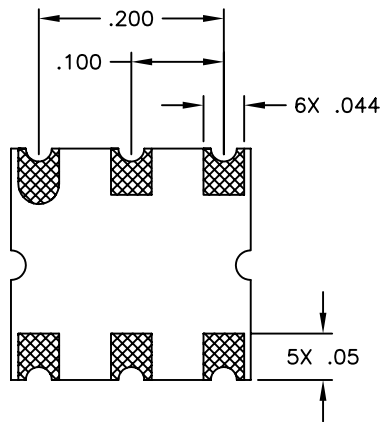
PRODUCT SPECIFICATION:
CPLR, DIR, 6dB, INDY, 5-1000MHz

DWG. NO./ PART NO.	SHEET:	REV.
CX3042NL	1	M14

MECHANICAL SPECIFICATIONS:



SUGGESTED LAND PATTERN



© Copyright, 2014. Pulse Electronics, Inc. All rights reserved. Drawing specifications subject to change without notice. Date (03/11/14)

PULSE CONFIDENTIAL
&
PROPRIETARY

PRODUCT SPECIFICATION:
CPLR, DIR, 6dB, INDY, 5-1000MHz

DWG. NO./ PART NO.	SHEET:	REV.
CX3042NL	2	M14